
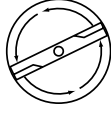


SERVICE 		3
		I0300051

IPL, LT16, 2003-01, 106 30 75-61

JNA1642A

# LT16

Spare parts

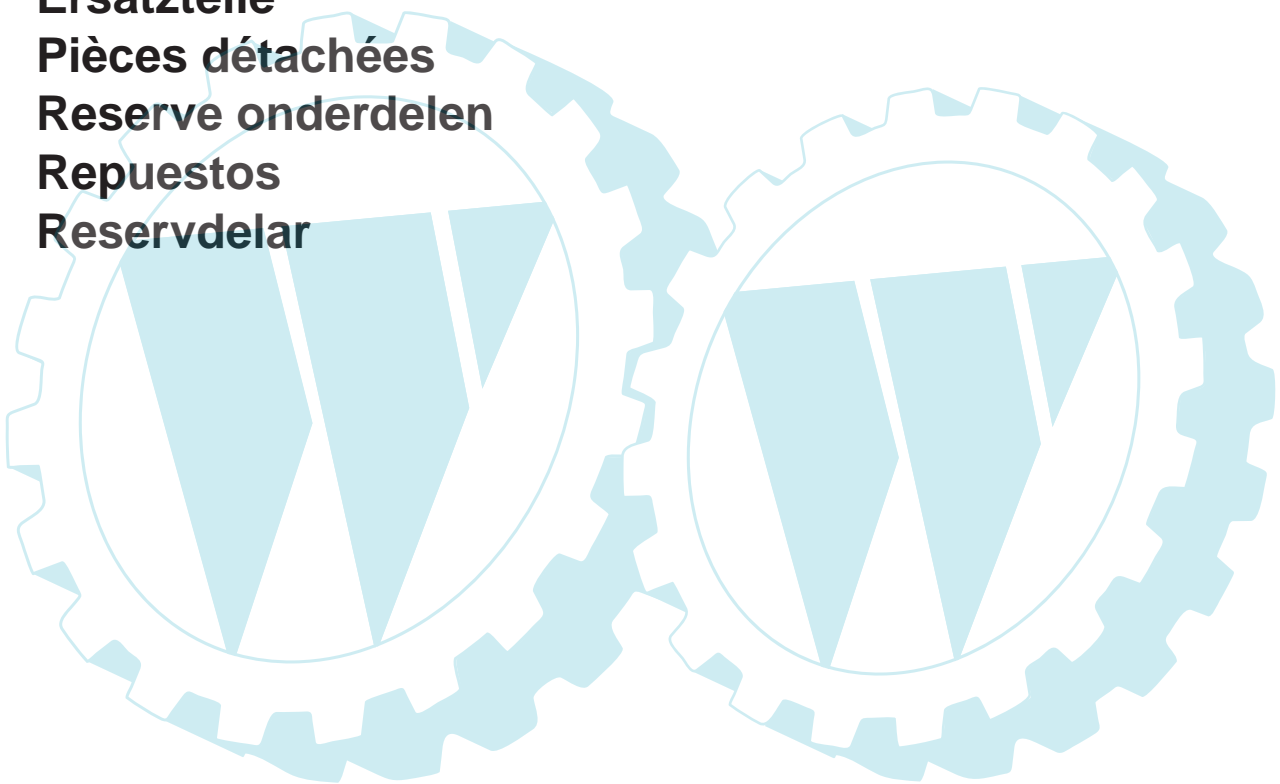
Ersatzteile

Pièces détachées

Reserve onderdelen

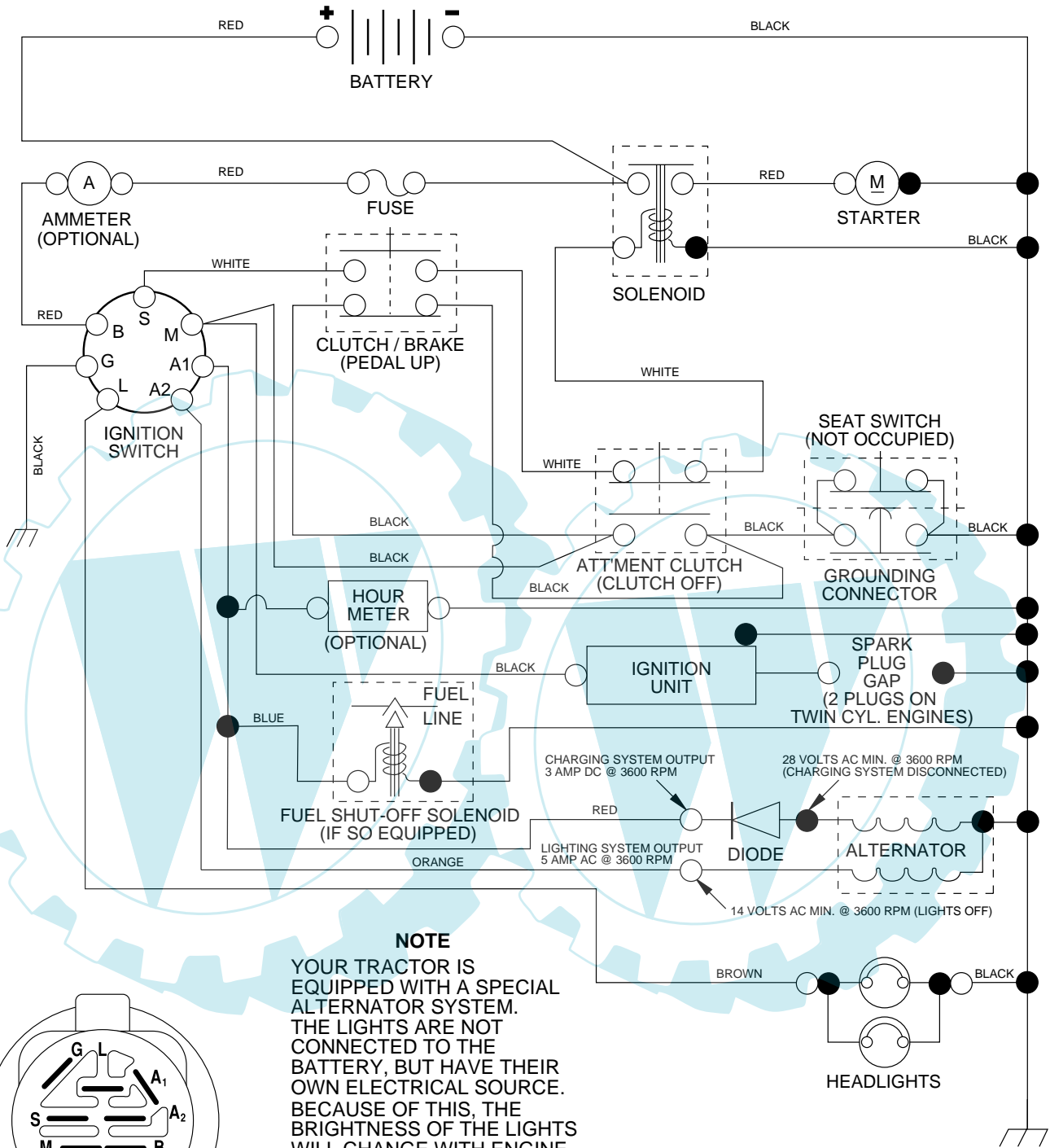
Repuestos

Reservdelar

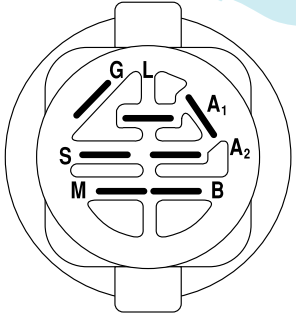


106 30 75-61

**TRACTOR - MODEL NO. LT16 (JNA1642A), PRODUCT NO. 954 13 00-85**  
**SCHEMATIC**



**NOTE**  
 YOUR TRACTOR IS EQUIPPED WITH A SPECIAL ALTERNATOR SYSTEM. THE LIGHTS ARE NOT CONNECTED TO THE BATTERY, BUT HAVE THEIR OWN ELECTRICAL SOURCE. BECAUSE OF THIS, THE BRIGHTNESS OF THE LIGHTS WILL CHANGE WITH ENGINE SPEED. AT IDLE THE LIGHTS WILL DIM. AS THE ENGINE IS SPEEDED UP, THE LIGHTS WILL BECOME THEIR BRIGHTEST.

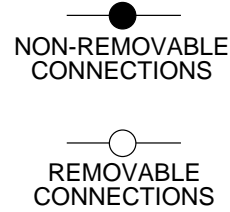


**IGNITION SWITCH**

POSITION	CIRCUIT	"MAKE"
OFF	M+G+A1	NONE
RUN/LIGHT	B+A1	A2+L
RUN	B+A1	NONE
START	B + S + A1	NONE

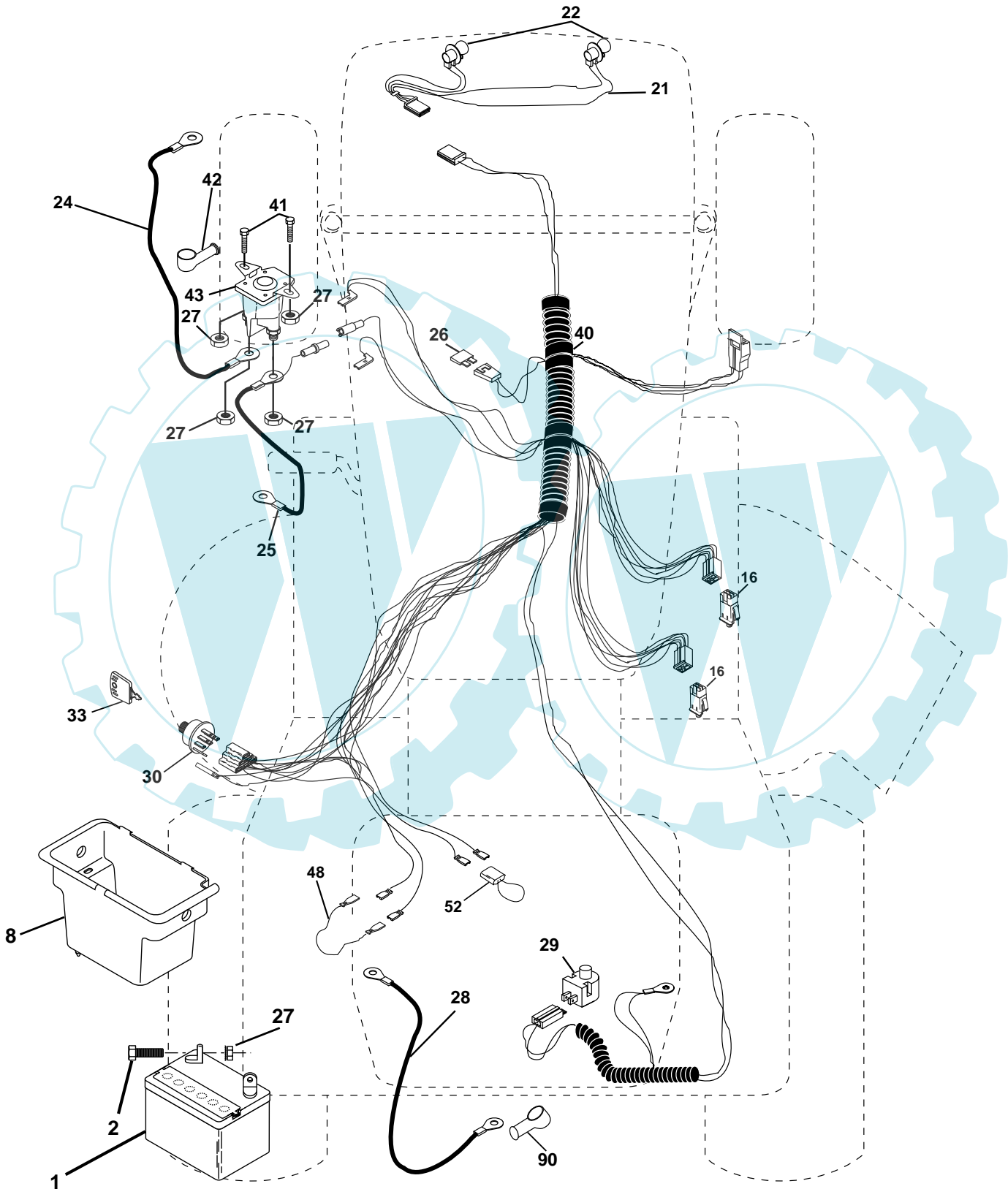
**WIRING INSULATED CLIPS**

**NOTE:** IF WIRING INSULATED CLIPS WERE REMOVED FOR SERVICING OF UNIT, THEY SHOULD BE REPLACED TO PROPERLY SECURE YOUR WIRING.



# REPAIR PARTS

TRACTOR - MODEL NO. LT16 (JNA1642A), PRODUCT NO. 954 13 00-85  
ELECTRICAL



## REPAIR PARTS

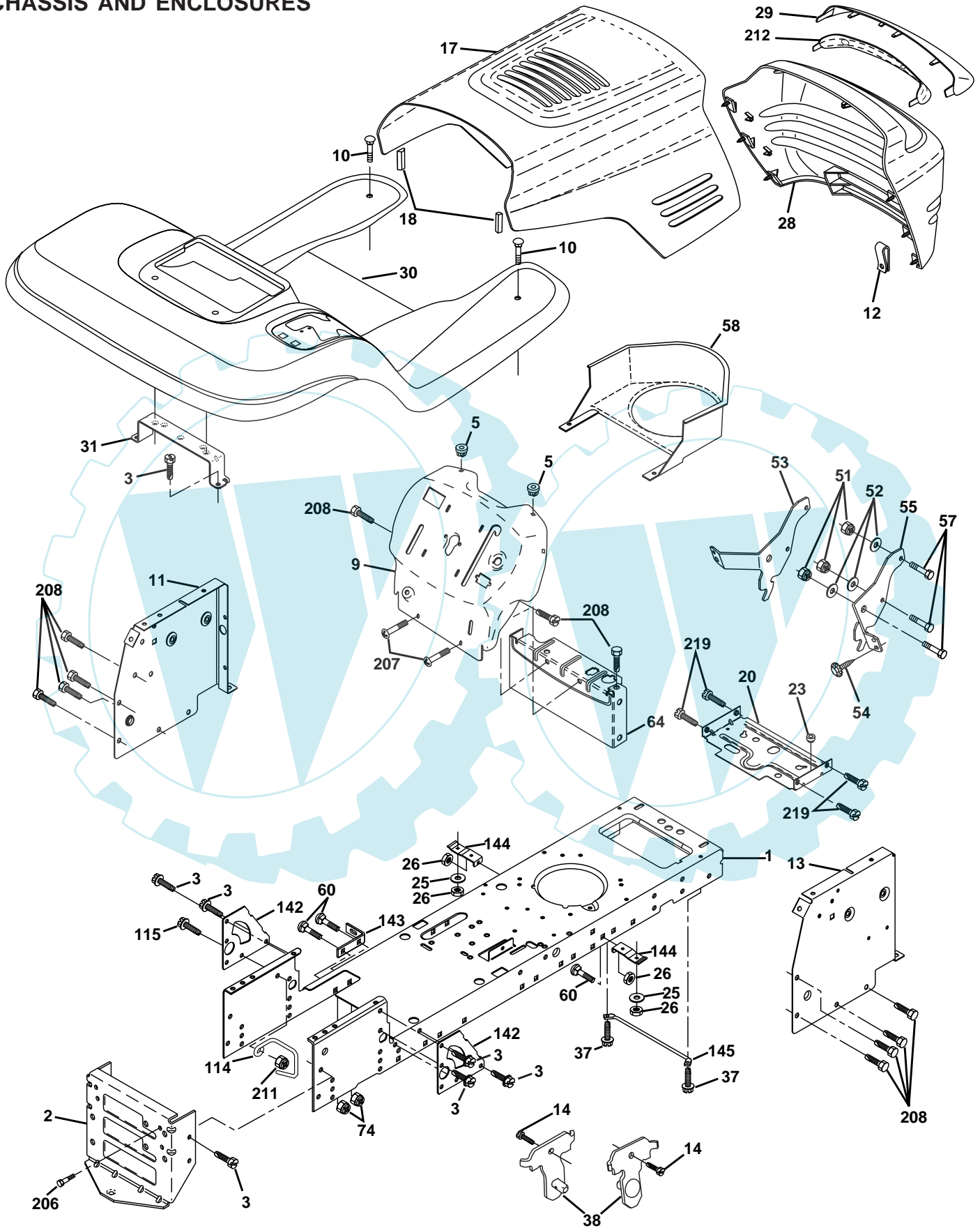
TRACTOR - MODEL NO. LT16 (JNA1642A), PRODUCT NO. 954 13 00-85  
ELECTRICAL

KEY NO.	PART NO.	DESCRIPTION
1	532 16 34-65	Battery
2	874 76 04-12	Bolt Hex Hd 1/4-20unc X 3/4
8	532 17 66-89	Box Battery
16	532 17 61-38	Switch Interlock
21	532 17 56-85	Harness Asm Light W/4152j
22	532 00 41-52	Bulb Light #1156
24	532 12 47-80	Cable Battery 6 Ga 11" red
25	532 14 61-47	Cable Battery 6 Ga 44" red w/16 wire
26	532 17 51-58	Fuse
27	873 51 04-00	Nut Keps Hex 1/4-20 Unc
28	532 12 47-73	Cable Ground 6 Ga 12" black
29	532 12 13-05	Switch Plunger Gray
30	532 17 55-66	Switch Ign Delta
33	532 14 04-01	Key Ign Molded Generic
40	532 17 97-20	Harness Ign.
41	871 11 04-08	Bolt Blk Fin Hex 1/4 - 20 x 1/2
42	532 13 15-63	Cover Terminal Red
43	532 17 88-61	Solenoid
48	532 14 08-44	Adapter Ammeter Rectangular
52	532 14 19-40	Protection Wire Loop
90	532 18 04-49	Cover Terminal Battery

**NOTE:** All component dimensions given in U.S. inches.  
1 inch = 25.4 mm.

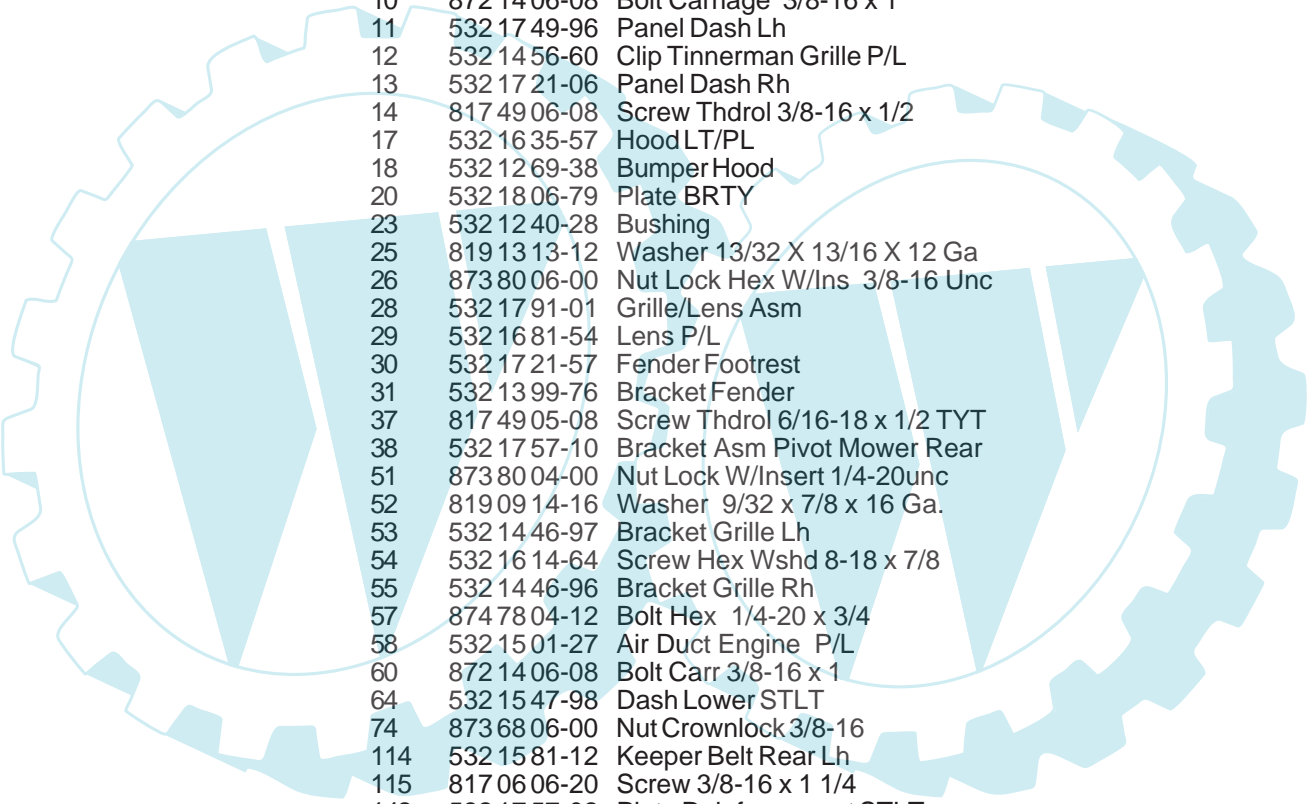
# REPAIR PARTS

TRACTOR - MODEL NO. LT16 (JNA1642A), PRODUCT NO. 954 13 00-85  
CHASSIS AND ENCLOSURES



## REPAIR PARTS

### TRACTOR - MODEL NO. LT16 (JNA1642A), PRODUCT NO. 954 13 00-85 CHASSIS AND ENCLOSURES

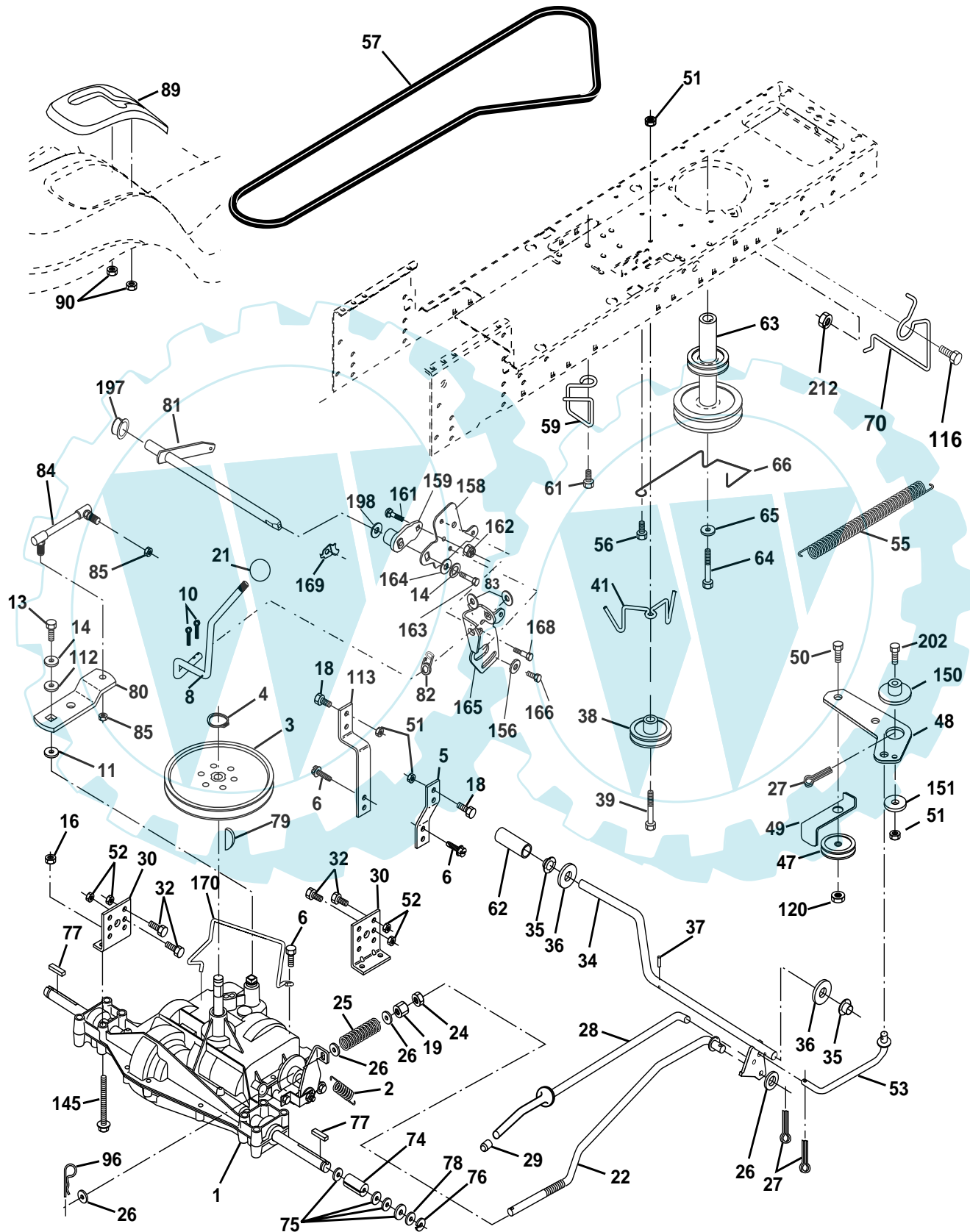


KEY NO.	PART NO.	DESCRIPTION
1	532 17 46-19	Chassis Stamping
2	532 17 65-54	Drawbar, 12 Ga.
3	817 06 06-12	Screw 3/8-16 x 3/4
5	532 15 52-72	Bumper Hood/Dash
9	532 17 21-51	Dash Slkscr
10	872 14 06-08	Bolt Carriage 3/8-16 x 1
11	532 17 49-96	Panel Dash Lh
12	532 14 56-60	Clip Tinnerman Grille P/L
13	532 17 21-06	Panel Dash Rh
14	817 49 06-08	Screw Thdrol 3/8-16 x 1/2
17	532 16 35-57	Hood LT/PL
18	532 12 69-38	Bumper Hood
20	532 18 06-79	Plate BRTY
23	532 12 40-28	Bushing
25	819 13 13-12	Washer 13/32 X 13/16 X 12 Ga
26	873 80 06-00	Nut Lock Hex W/Ins 3/8-16 Unc
28	532 17 91-01	Grille/Lens Asm
29	532 16 81-54	Lens P/L
30	532 17 21-57	Fender Footrest
31	532 13 99-76	Bracket Fender
37	817 49 05-08	Screw Thdrol 6/16-18 x 1/2 TYT
38	532 17 57-10	Bracket Asm Pivot Mower Rear
51	873 80 04-00	Nut Lock W/Insert 1/4-20unc
52	819 09 14-16	Washer 9/32 x 7/8 x 16 Ga.
53	532 14 46-97	Bracket Grille Lh
54	532 16 14-64	Screw Hex Wshd 8-18 x 7/8
55	532 14 46-96	Bracket Grille Rh
57	874 78 04-12	Bolt Hex 1/4-20 x 3/4
58	532 15 01-27	Air Duct Engine P/L
60	872 14 06-08	Bolt Carr 3/8-16 x 1
64	532 15 47-98	Dash Lower STLT
74	873 68 06-00	Nut Crownlock 3/8-16
114	532 15 81-12	Keeper Belt Rear Lh
115	817 06 06-20	Screw 3/8-16 x 1 1/4
142	532 17 57-02	Plate Reinforcement STLT
143	532 15 49-66	Bracket Swaybar
144	532 17 55-82	Bracket Ft Rest
145	532 15 65-24	Rod Pivot Chassis/Hood
206	532 17 01-65	Bolt Shoulder 5/16-18 TT
207	817 67 05-08	Screw Thdrol 5/16-18 x 1/2
208	817 67 06-08	Screw Thdrol 3/8-16x1/2 Ty-tt
211	532 14 52-12	Nut Hex Flange Lock
212	532 15 62-29	Insert Lens Reflective
219	817 00 05-12	Screw 5/16-18 x 3/4
--	532 00 54-79	Plug Button

**NOTE:** All component dimensions given in U.S. inches  
1 inch = 25.4 mm

# REPAIR PARTS

TRACTOR - MODEL NO. LT16 (JNA1642A), PRODUCT NO. 954 13 00-85  
DRIVE



# REPAIR PARTS

TRACTOR - MODEL NO. LT16 (JNA1642A), PRODUCT NO. 954 13 00-85

## DRIVE

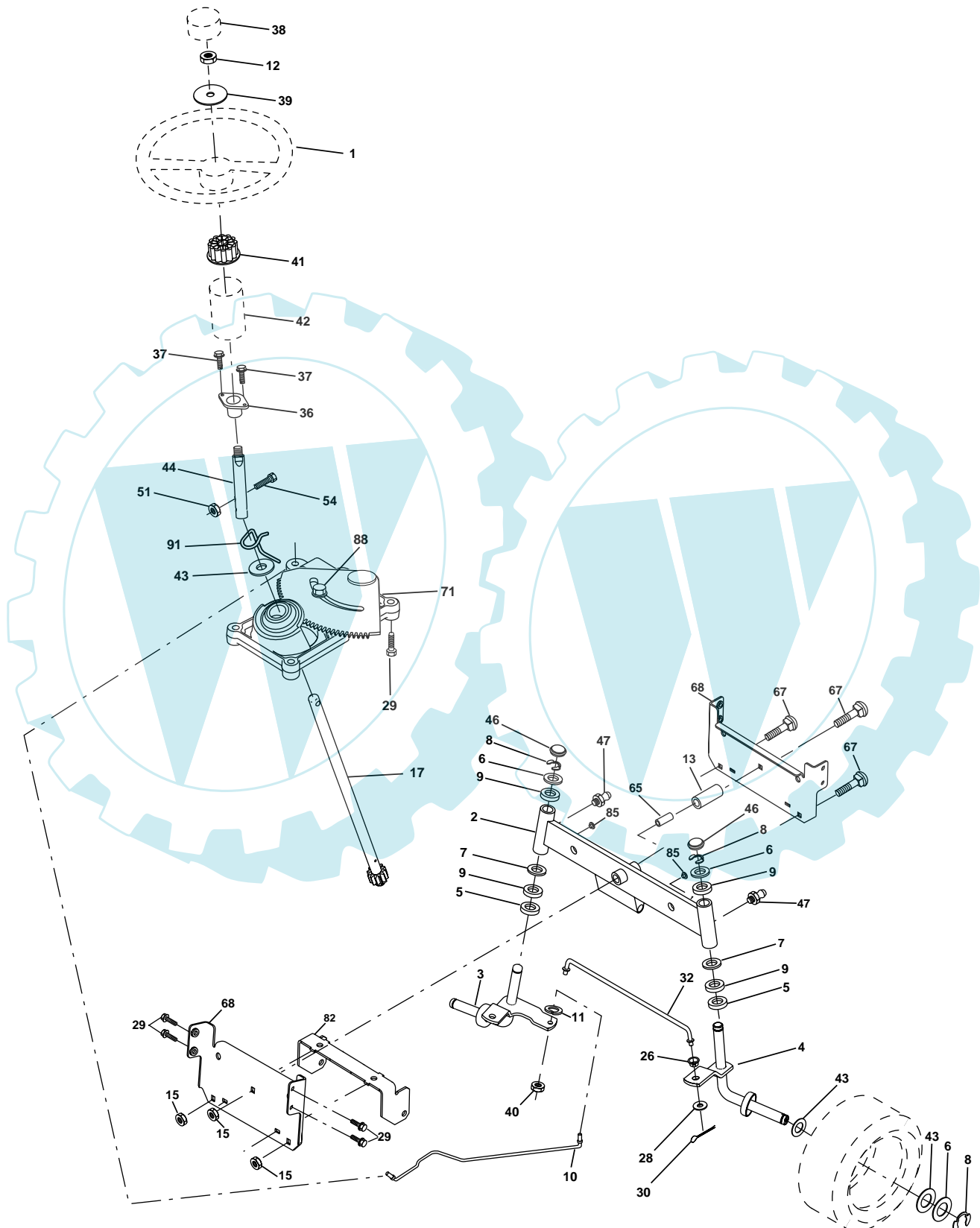
KEY NO.	PART NO.	DESCRIPTION	KEY NO.	PART NO.	DESCRIPTION
1	-----	Transaxle Peerless 205-545C Order parts from transaxle manufacturer	63	532 17 54-10	Engine Pulley LT/YT
2	532 14 66-82	Spring Return Brake T/a Zinc	64	871 17 07-64	Bolt Hex
3	532 12 36-66	Pulley Transaxle 18" tires	65	810 04 07-00	Washer Lock Hvy Hlcl Spr 7/16
4	812 00 00-28	Ring Retainer #5100-62	66	532 15 47-78	Keeper Belt Engine Foolproof
5	532 12 15-20	Strap Torque 30 Degrees	70	532 13 46-83	Guide Belt Mower Drive RH
6	817 06 05-12	Screw Thdrol 5/16-18	74	532 13 70-57	Spacer Axle
8	532 16 58-66	Rod Shift Fender Adjust Lt	75	532 12 17-49	Washer 25/32 X 1 1/4 X 16 Ga
10	876 02 04-16	Pin Cotter 1/8 X 1 Cad	76	812 00 00-01	E-ring #5133-75
11	532 10 57-01	Washer Plate Shf 388 Sq Hole	77	532 12 35-83	Key Square 2 0 X 1845/ 1865
13	874 55 04-12	Bolt 1/4-28 Unf Gr 8 W/Patch	78	532 12 17-48	Washer 25/32 X 1-5/8 X 16 Ga
14	810 04 04-00	Washer Lock Hvy Helical	79	532 12 50-96	Key Woodruff #9 3/16 x 3/4
16	873 80 05-00	Nut Lock Hex w/Ins 5/16-18	80	532 14 50-90	Arm Shift
18	874 78 06-16	Bolt, Fin Hex 3/8-16 UNC x 1 Gr. 5	81	532 16 55-92	Shaft Asm Cross
19	873 80 06-00	Nut Lock 3/8-16 Unc	82	532 16 57-11	Spring Torsion T/a
21	532 13 05-64	Knob	83	819 17 12-16	Washer 17/32 X 3/4 X 16 Ga
22	532 13 08-04	Rod Brake Blk Zinc 26 840	84	532 16 62-31	Link Transaxle
24	873 35 06-00	Nut Hex Jam 3/8-16 Unc	85	532 15 03-60	Nut Lock Center 1/4 - 28 FNTHD
25	532 10 68-88	Spring Rod Brake 2 00 Zinc	89	532 16 65-56	Console Shift STLT
26	819 13 13-16	Washer 13/32 X 13/16 X 16 Ga	90	532 12 43-46	Nut Self-thd Wsh-hd 1/4 Zinc
27	876 02 04-12	Pin Cotter 1/8 X 3/4 Cad	96	532 12 47-88	Retainer Spring 1"
28	532 17 57-65	Rod Brake Parking LT/YT	112	819 09 12-10	Washer 9/32 x 3/4 x 10 Ga.
29	532 07 16-73	Cap Brake Parking Black	113	532 12 72-85	Strap Torque LT
30	532 16 95-92	Bracket Mtg Transaxle	116	872 14 06-08	Bolt Rdhd Sq Neck 3/8-16 x 1.0
32	874 76 05-12	Bolt Hex Hd 5/16-18unc X 3/4	120	873 90 06-00	Nut Lock Flg. 3/8-16 Unc
34	532 17 55-78	Shaft Asm Pedal Foot	145	874 49 05-40	Bolt Hex 5/16-18 Gr. 5
35	532 12 01-83	Bearing Nylon Blk 629 Id	150	532 17 54-56	Spacer
36	819 21 16-16	Washer 21/32 X 1 X 16 Ga	151	819 13 32-10	Washer 13/32 x 2 x 10 Ga.
37	532 12 49-63	Pin Roll 3/16 X 1"	156	532 16 60-02	Washer Srrted 5/16ID x 1.125
38	532 17 91-14	Pulley Idler Composite	158	532 16 55-89	Bracket Shift Mount
39	874 76 06-48	Bolt Fin Hex 3/8-16 Unc x 3	159	532 16 54-94	Hub Tapered Flange Shift Lt
41	532 17 55-56	Keeper Belt Idler Flat	161	872 14 04-06	Bolt Rdhd Sqnk 1/4-20 x 3/4 Gr 5
47	532 12 77-83	Pulley Idler V Groove Plastic	162	873 68 04-00	Nut Crownlock 1/4-20 Unc
48	532 15 44-07	Bellcrank Clutch Grnd Driv	163	874 78 04-16	Bolt Hex Fin 1/4-20 Unc x 1 Gr 5
49	532 12 32-05	Retainer Belt Style Spring	164	819 09 10-10	Washer 5/8 x .281 x 10 Ga
50	874 76 06-24	Bolt Hex Hd 3/8-16unc X 1-1/2	165	532 16 56-23	Bracket Pivot Lever
51	873 68 06-00	Nut Crownlock 3/8-16 Unc	166	532 16 68-80	Screw 5/16-18 x 5/8
52	873 68 05-00	Nut Crownlock 5/16-18 Unc	168	532 16 54-92	Bolt Shoulder 5/16-18 x .561
53	532 10 57-10	Link Clutch	169	532 16 55-80	Plate Fastening Lt
55	532 10 57-09	Spring Return Clutch 6 75	170	532 17 83-94	Keeper, Belt T/A D/P
56	817 06 06-20	Screw 3/8-16 x 1 1/4	197	532 16 96-13	Nyliner Snap-In
57	532 13 08-01	V-Belt Ground Drive 95 25	198	532 16 95-93	Washer Nyl 7/8 ID x 105"
59	532 16 96-91	Keeper Belt Span Ctr	202	872 11 06-14	Bolt Carr. SH 3/8-16 x 1-3/4 Gr. 5
61	817 12 06-14	Screw 3/8-16 x .875	212	532 14 52-12	Nut, Hex Flange Lock
62	532 12 48-72	Cover Pedal Round			

**NOTE:** All component dimensions given in U.S. inches  
1 inch = 25.4 mm



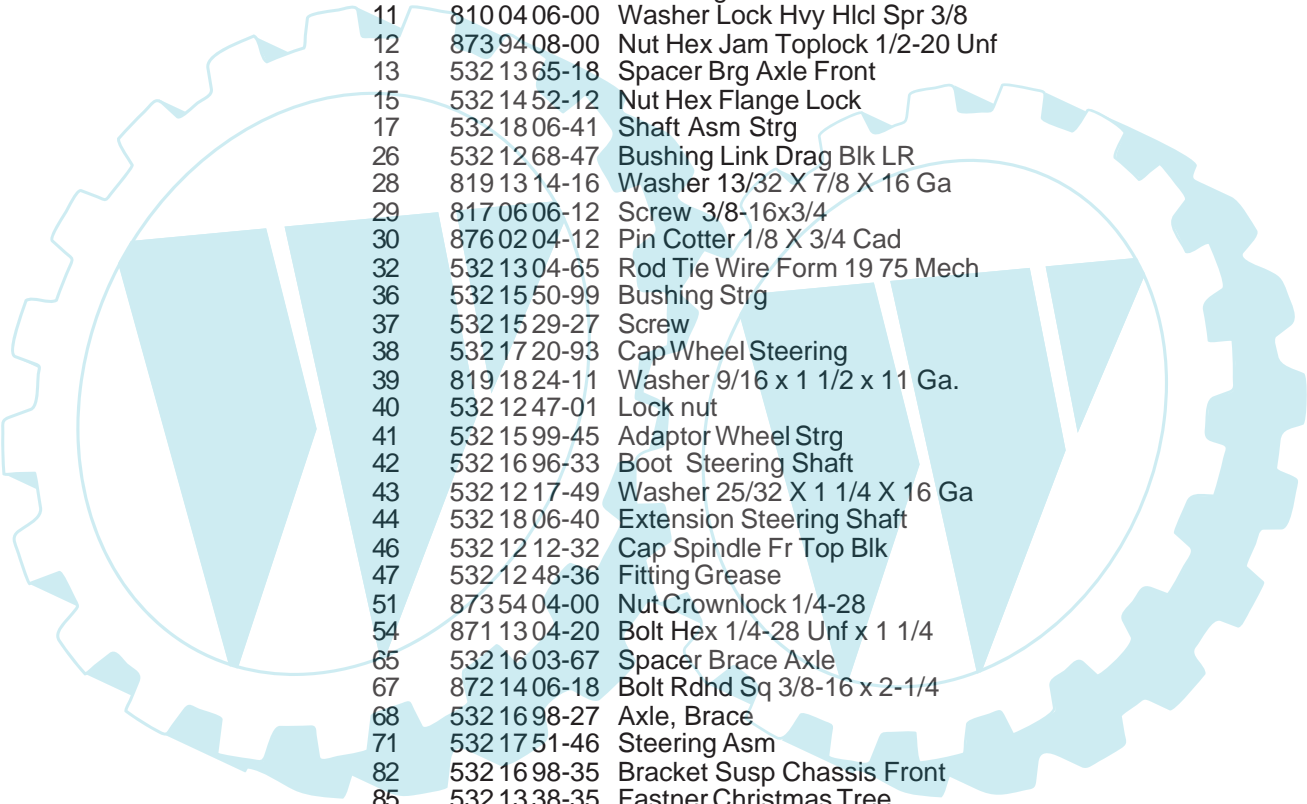
# REPAIR PARTS

TRACTOR - MODEL NO. LT16 (JNA1642A), PRODUCT NO. 954 13 00-85  
STEERING ASSEMBLY



## REPAIR PARTS

TRACTOR - MODEL NO. LT16 (JNA1642A), PRODUCT NO. 954 13 00-85  
STEERING ASSEMBLY

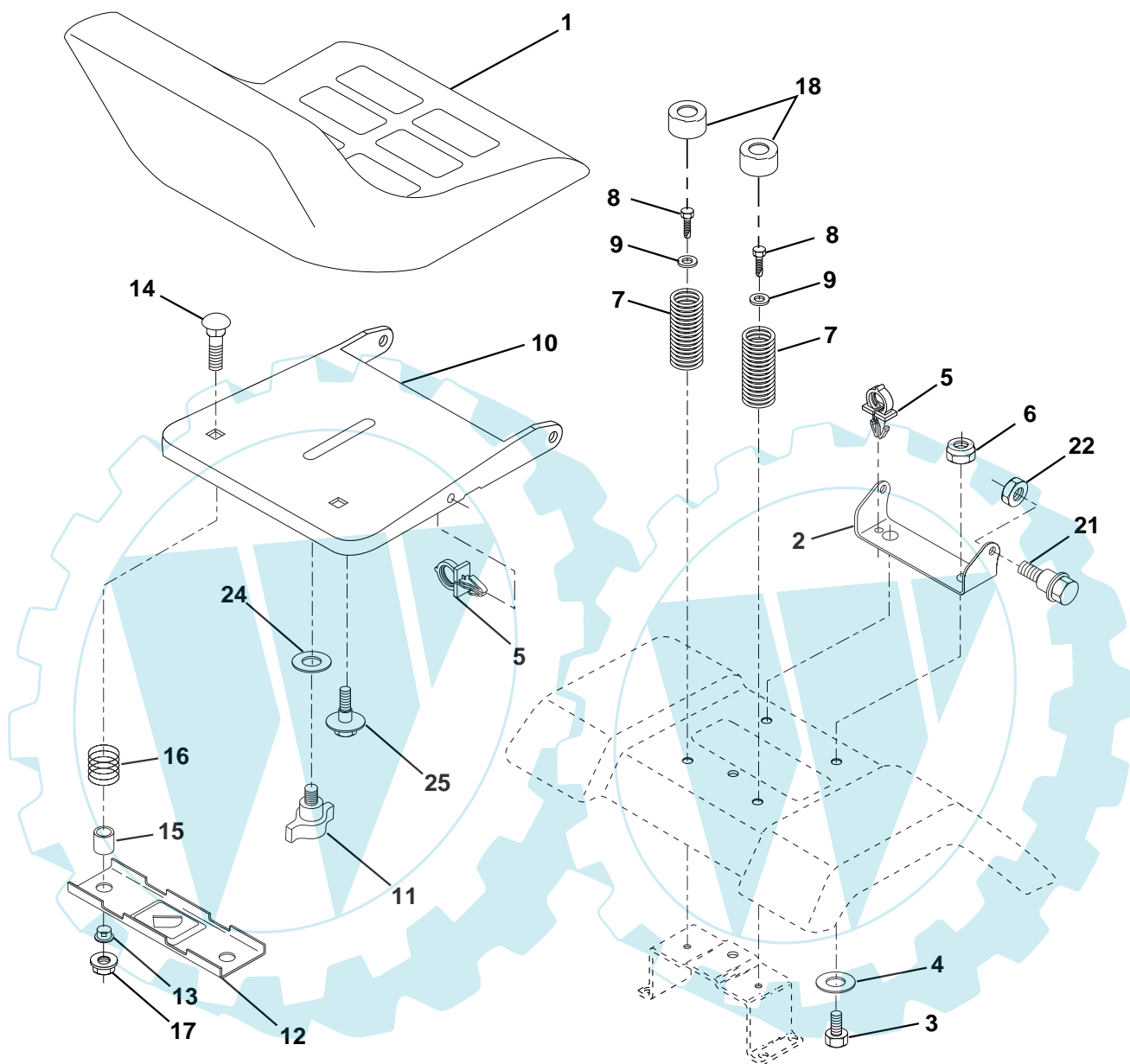


KEY NO.	PART NO.	DESCRIPTION
1	532 17 20-92	Wheel Steering
2	532 17 51-31	Axle Asm
3	532 16 98-40	Spindle Asm LH
4	532 16 98-39	Spindle Asm RH
5	532 12 49-31	Bearing Race Thrust Harden
6	532 12 17-48	Washer 25/32 X 1-5/8 X 16 Ga
7	819 27 20-16	Washer 27/32 X 1-1/4 X 16 Ga
8	812 00 00-29	Ring Klip #t5304-75
9	532 12 49-37	Bearing Col Strg Blk
10	532 17 51-21	Link Drag
11	810 04 06-00	Washer Lock Hvy Hlcl Spr 3/8
12	873 94 08-00	Nut Hex Jam Toplock 1/2-20 Unf
13	532 13 65-18	Spacer Brg Axle Front
15	532 14 52-12	Nut Hex Flange Lock
17	532 18 06-41	Shaft Asm Strg
26	532 12 68-47	Bushing Link Drag Blk LR
28	819 13 14-16	Washer 13/32 X 7/8 X 16 Ga
29	817 06 06-12	Screw 3/8-16x3/4
30	876 02 04-12	Pin Cotter 1/8 X 3/4 Cad
32	532 13 04-65	Rod Tie Wire Form 19 75 Mech
36	532 15 50-99	Bushing Strg
37	532 15 29-27	Screw
38	532 17 20-93	Cap Wheel Steering
39	819 18 24-11	Washer 9/16 x 1 1/2 x 11 Ga.
40	532 12 47-01	Lock nut
41	532 15 99-45	Adaptor Wheel Strg
42	532 16 96-33	Boot Steering Shaft
43	532 12 17-49	Washer 25/32 X 1 1/4 X 16 Ga
44	532 18 06-40	Extension Steering Shaft
46	532 12 12-32	Cap Spindle Fr Top Blk
47	532 12 48-36	Fitting Grease
51	873 54 04-00	Nut Crownlock 1/4-28
54	871 13 04-20	Bolt Hex 1/4-28 Unf x 1 1/4
65	532 16 03-67	Spacer Brace Axle
67	872 14 06-18	Bolt Rdhd Sq 3/8-16 x 2-1/4
68	532 16 98-27	Axle, Brace
71	532 17 51-46	Steering Asm
82	532 16 98-35	Bracket Susp Chassis Front
85	532 13 38-35	Fastner Christmas Tree
88	532 17 51-18	Bolt Shoulder 7/16-20
91	532 17 55-53	Clip Steering

**NOTE:** All component dimensions given in U.S. inches.  
1 inch = 25.4 mm.

# REPAIR PARTS

TRACTOR - MODEL NO. LT16 (JNA1642A), PRODUCT NO. 954 13 00-85  
SEAT ASSEMBLY



KEY NO.	PART NO.	DESCRIPTION
1	532 14 01-17	Seat
2	532 14 05-51	Bracket Pivot Seat 8 720
3	871 11 06-16	Bolt Fin Hex 3/8-16unc X 1
4	819 13 16-10	Washer 13/32 X 1 X 10 Ga
5	532 14 50-06	Clip Push-In
6	873 80 06-00	Nut Hex w/Ins. 3/8-16 Unc
7	532 12 41-81	Spring Seat Cprsn 2 250 Blk Zi
8	817 00 06-16	Screw 3/8-16 X 1
9	819 13 16-14	Washer 13/32 X 1 X 14 Ga.
10	532 18 24-93	Pan Seat
11	532 16 63-69	Knob Seat
12	532 12 12-46	Bracket Mounting Switch
13	532 12 12-48	Bushing Snap Blk Nyl 50 Id

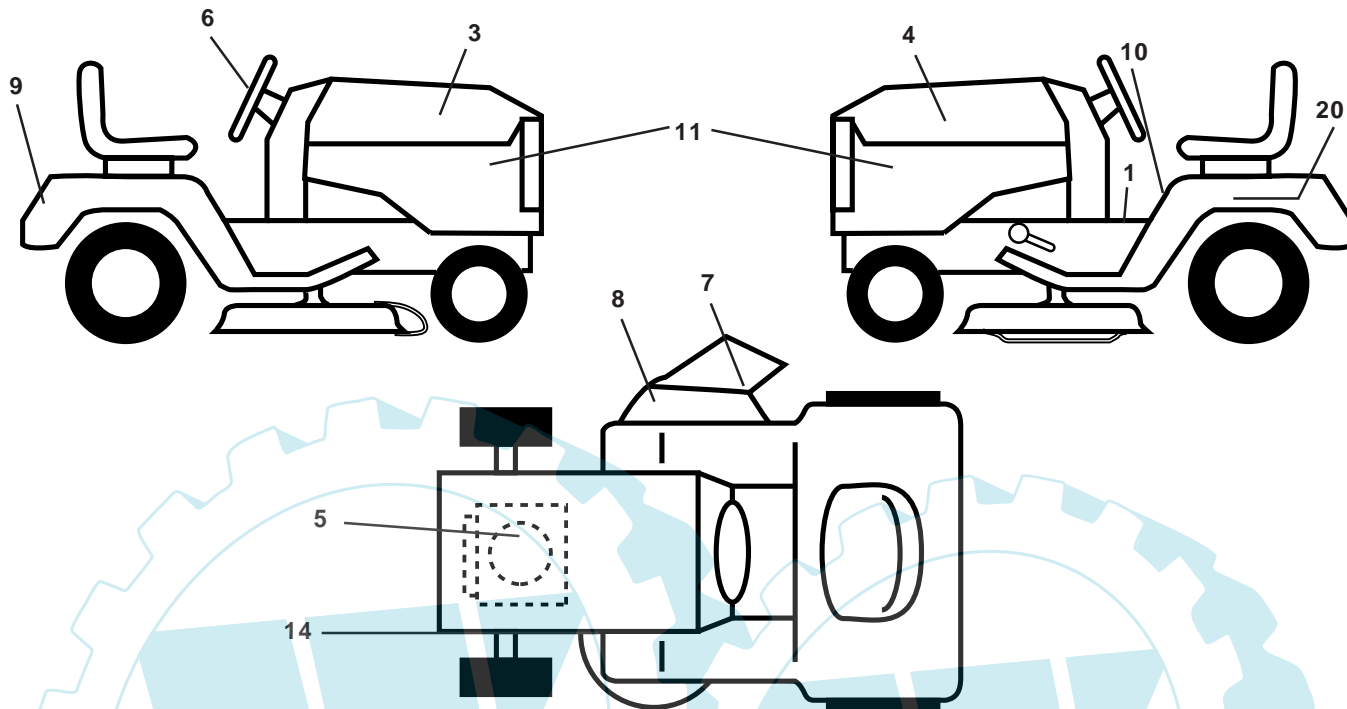
KEY NO.	PART NO.	DESCRIPTION
14	872 05 04-12	Bolt Rdhd Sqnk 1/4-20x1-1/2
15	532 13 43-00	Spacer Split 28x 96 Yel Zinc
16	532 12 12-50	Spring Cprsn 1 27 Blk Pnt
17	532 12 39-76	Nut Lock 1/4 Lge Flg Gr 5 Zinc
18	532 12 42-38	Cap Spring Seat
21	532 17 18-52	Bolt Shoulder 5/16-18 Unc-2A
22	873 80 05-00	Nut Hex Lock W/Ins 5/16-18
23	871 11 08-14	Bolt, Hex Black
24	819 17 19-12	Washer 17/32 X 1-3/16 X 12 Ga.
25	532 12 70-18	Bolt Shoulder 5/16-18 X 62

**NOTE:** All component dimensions given in U.S. inches.  
1 inch = 25.4 mm

# REPAIR PARTS

TRACTOR - MODEL NO. LT16 (JNA1642A), PRODUCT NO. 954 13 00-85

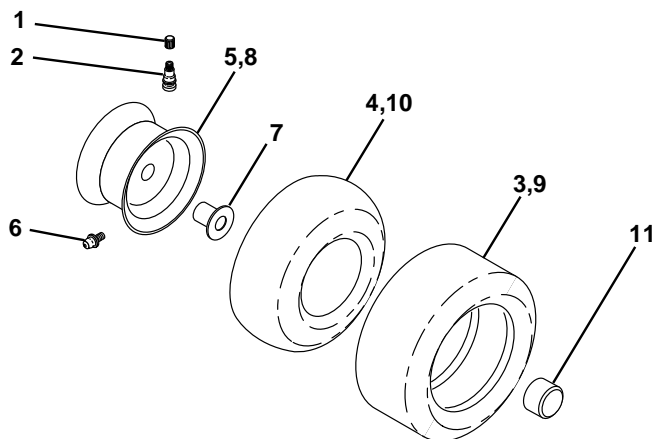
## DECALS



KEY NO.	PART NO.	DESCRIPTION
1	532 15 63-69	Decal Oper. Step Thru Eng/Fr
3	532 17 96-35	Decal Hood RH
4	532 17 96-36	Decal Hood LH
5	532 18 04-34	Decal Hood
6	532 17 05-65	Decal Wheel Steering
7	532 17 91-28	Decal Deck B 42
8	532 17 05-63	Decal Warning
9	532 14 17-61	Decal Fender
10	532 15 71-40	Decal Fender Danger Eng/Fr

KEY NO.	PART NO.	DESCRIPTION
11	532 16 29-27	Decal Hood Side Panel
14	532 16 03-96	Decal V-Belt Schematic
20	532 14 50-05	Decal Bat Dan/Psn
--	532 13 83-11	Decal Handle Lft Height Adjust
--	532 17 12-85	Pad Footrest RH
--	532 17 12-84	Pad Footrest LH
--	532 18 27-45	Manual Owner's (English)
--	532 18 27-46	Manual Owner's (French)

## WHEELS & TIRES

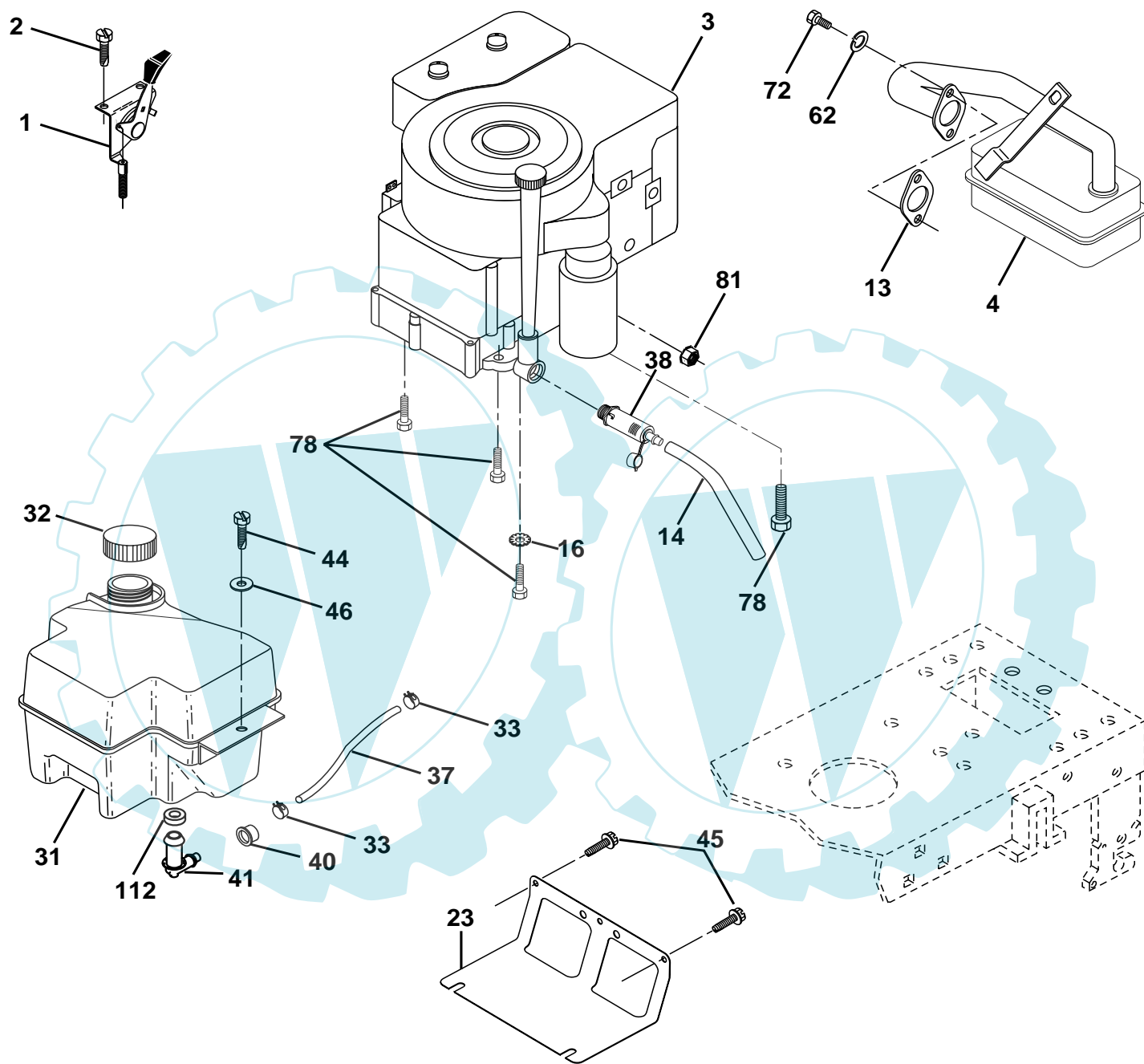


KEY NO.	PART NO.	DESCRIPTION
1	532 05 91-92	Cap Valve Tire
2	532 06 51-39	Stem Valve
3	532 10 62-22	Tire F Ts 15 X 6 0 - 6 Service
4	532 05 99-04	Tube Front (Service Item Only)
5	532 13 83-36	Rim Asm 6"front Silver Service
6	532 12 49-57	Fitting Grease (Front Wheel Only)
7	532 12 49-59	Bearing Flange (Front Wheel Only)
8	532 13 83-37	Rim Asm 8"rear Silver Service
9	532 10 62-68	Tire R Ts 18x9 5-8 C Service
10	532 12 49-26	Tube Rear (Service Item Only)
11	532 17 50-39	Cap Axle Blk 1 50 X 1 00
--	532 14 43-34	Sealant, Tire ( 10 oz. Tube)

**NOTE:** All component dimensions given in U.S. inches  
1 inch = 25.4 mm

# REPAIR PARTS

TRACTOR - MODEL NO. LT16 (JNA1642A), PRODUCT NO. 954 13 00-85  
ENGINE

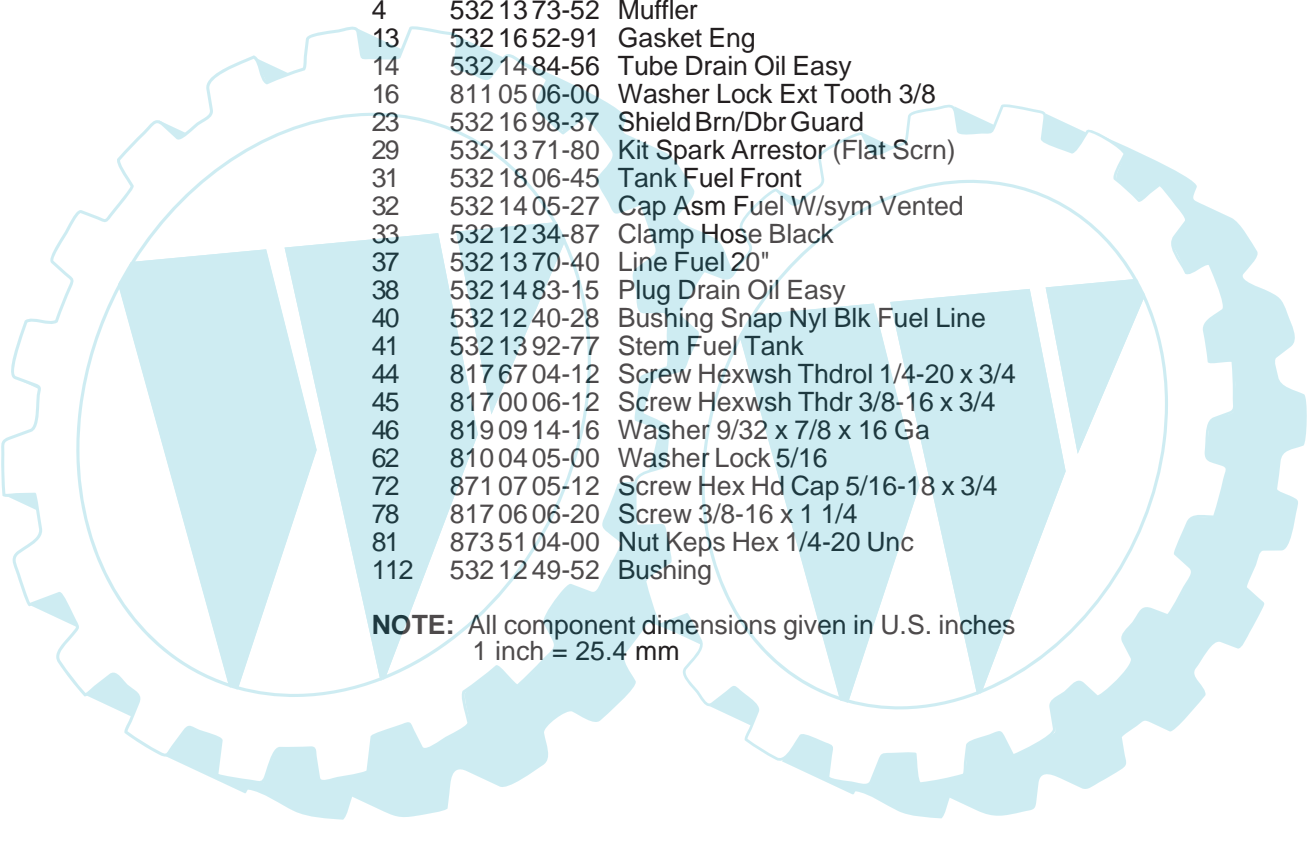


29

**OPTIONAL EQUIPMENT**  
**Spark Arrester**

## REPAIR PARTS

TRACTOR - MODEL NO. LT16 (JNA1642A), PRODUCT NO. 954 13 00-85  
ENGINE

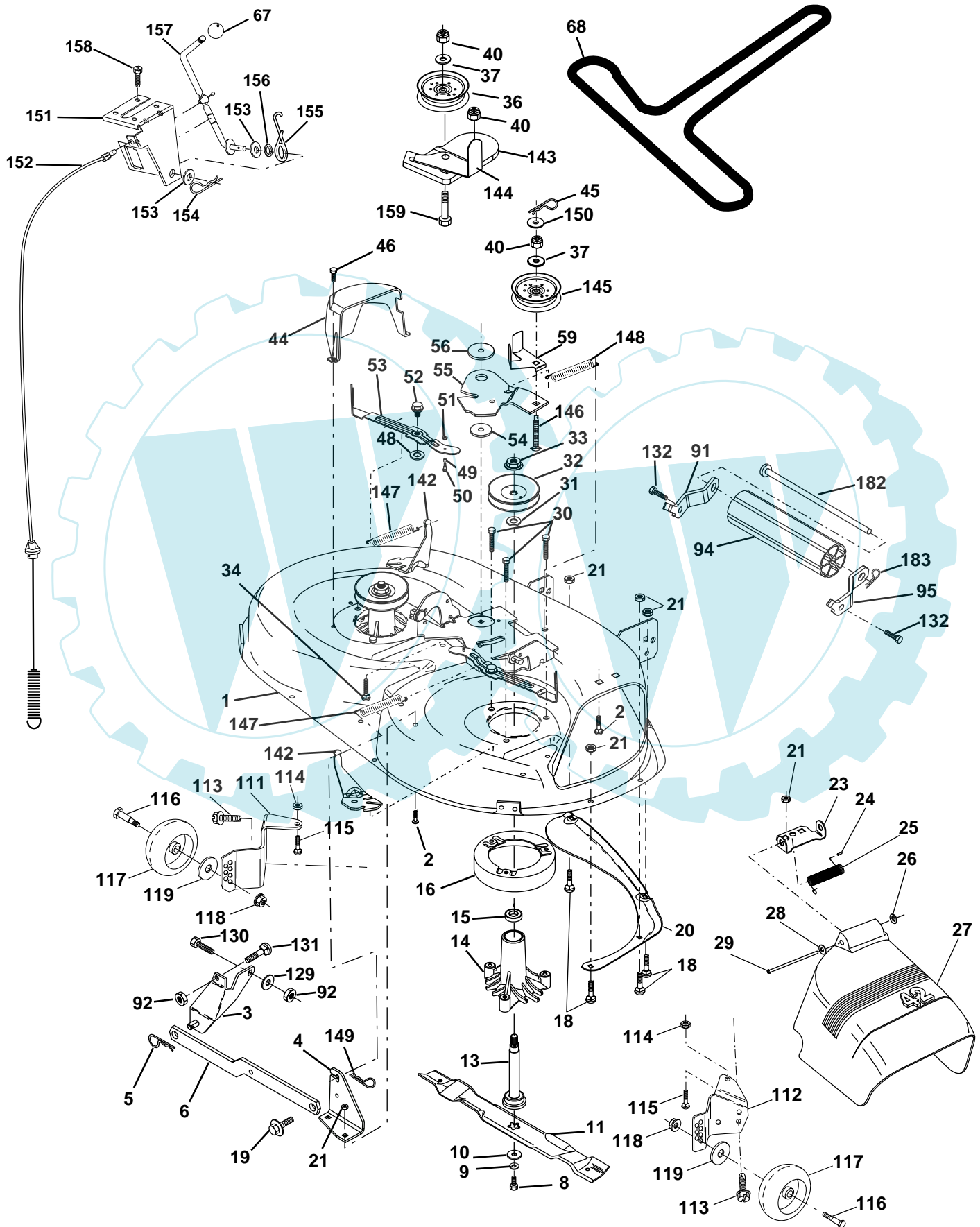


KEY NO.	PART NO.	DESCRIPTION
1	532 17 05-51	Control Th/ch Flag
2	817 72 04-08	Screw Hex Thd Cut 1/4-20 x 1/2
3	-----	Engine, B & S 31G777 (Order parts from engine manufacturer)
4	532 13 73-52	Muffler
13	532 16 52-91	Gasket Eng
14	532 14 84-56	Tube Drain Oil Easy
16	811 05 06-00	Washer Lock Ext Tooth 3/8
23	532 16 98-37	Shield Brn/Dbr Guard
29	532 13 71-80	Kit Spark Arrestor (Flat Scrn)
31	532 18 06-45	Tank Fuel Front
32	532 14 05-27	Cap Asm Fuel W/sym Vented
33	532 12 34-87	Clamp Hose Black
37	532 13 70-40	Line Fuel 20"
38	532 14 83-15	Plug Drain Oil Easy
40	532 12 40-28	Bushing Snap Nyl Blk Fuel Line
41	532 13 92-77	Stem Fuel Tank
44	817 67 04-12	Screw Hexwsh Thdrol 1/4-20 x 3/4
45	817 00 06-12	Screw Hexwsh Thdr 3/8-16 x 3/4
46	819 09 14-16	Washer 9/32 x 7/8 x 16 Ga
62	810 04 05-00	Washer Lock 5/16
72	871 07 05-12	Screw Hex Hd Cap 5/16-18 x 3/4
78	817 06 06-20	Screw 3/8-16 x 1 1/4
81	873 51 04-00	Nut Keps Hex 1/4-20 Unc
112	532 12 49-52	Bushing

**NOTE:** All component dimensions given in U.S. inches  
1 inch = 25.4 mm

# REPAIR PARTS

TRACTOR - MODEL NO. LT16 (JNA1642A), PRODUCT NO. 954 13 00-85  
MOWER DECK



# REPAIR PARTS

TRACTOR - MODEL NO. LT16 (JNA1642A), PRODUCT NO. 954 13 00-85

## MOWER DECK

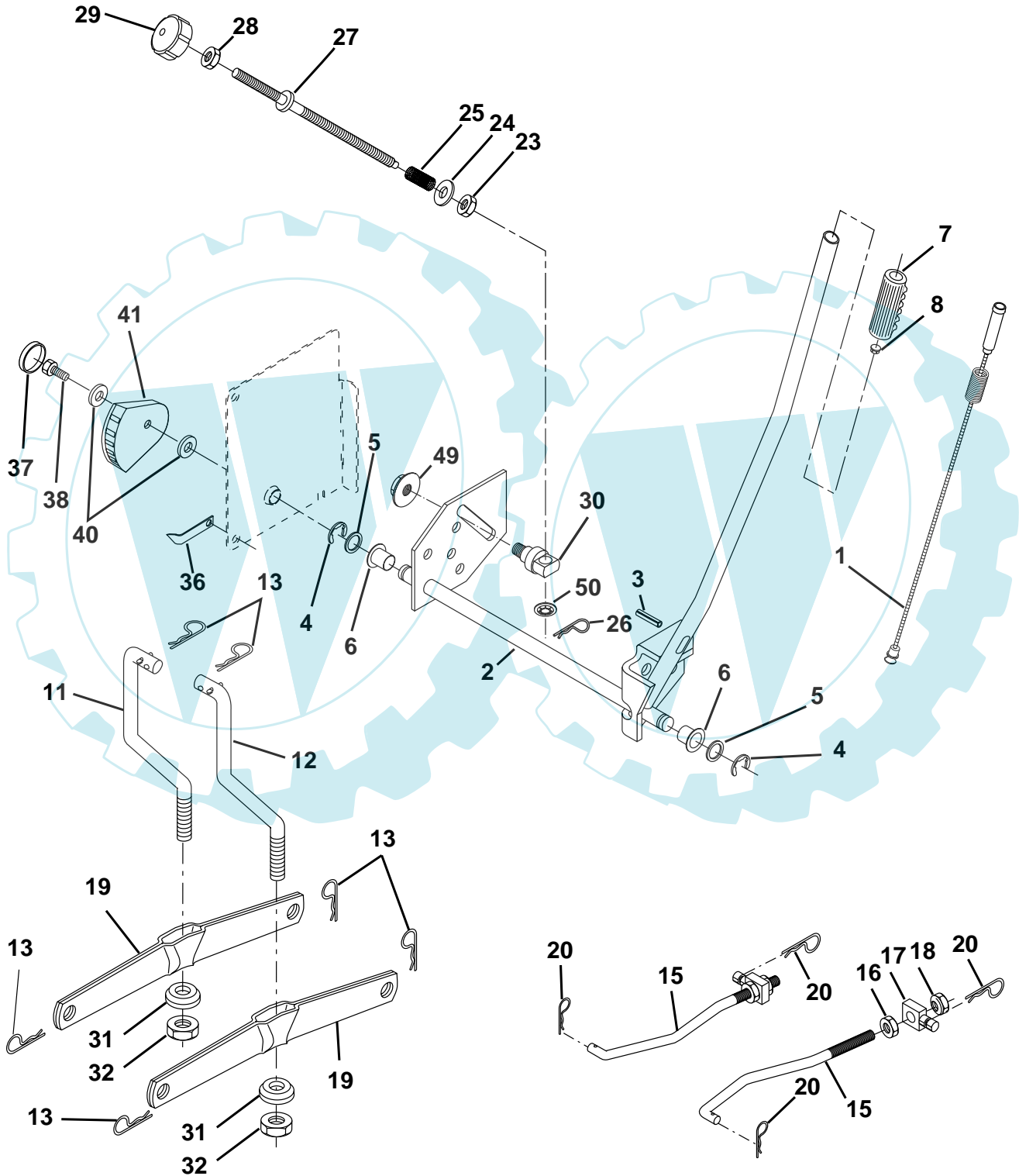
KEY NO.	PART NO.	DESCRIPTION	KEY NO.	PART NO.	DESCRIPTION
1	532 16 58-92	Deck Asm MWR 42"weldment	54	532 13 39-43	Washer Hardened
2	872 14 05-06	Bolt Rdhd Sqnk 5/16-18unc X3/4	55	532 15 50-46	Arm Idler 42"mower LT/YT
3	532 13 80-17	Bracket Asm Fr Sway Bar 38/42	56	532 16 57-23	Spacer Retainer Mower
4	532 16 54-60	Bracket Asm Deck 42"sway Bar	59	532 14 10-43	Guard TUV Idler
5	532 12 46-70	Retainer Spring	67	532 10 69-32	Knob Rd 3/8-16 Plstc Thds Blk
6	532 17 80-24	Deck Sway Bar	68	532 14 49-59	V-Belt Mower 42"
8	532 85 08-57	Bolt 3/8 - 24 X 1.25 Gr 8	91	532 18 05-32	Bracket Roller Nose LH
9	810 03 06-00	Washer Lock Hvy 3/8	92	873 80 06-00	Nut Lock w/Ins 3/8-16
10	532 14 02-96	Washer Hard Blade Mower Vented	94	532 13 22-64	Roller Nose
11	532 13 84-98	Blade Mower 42"	95	532 18 05-33	Bracket Roller Nose RH
13	532 13 76-45	Shaft Asm W/lower Bearing	111	532 17 92-92	Bracket Wheel Gauge LH 42" Deck
14	532 12 87-74	Housing Mandrel Vented	112	532 17 92-93	Bracket Gauge Wheel RH 42" Deck
15	532 11 04-85	Bearing Ball Mandrel	113	817 06 05-10	Screw Tapping 3/8-16 x .625
16	532 17 44-93	Stripper Mower	114	873 51 05-00	Nut Keps 5/16-18 Unc
18	872 14 05-05	Bolt Rdhd Sqnk 5/16-18 X 5/8	115	872 11 05-05	Bolt Carriage 5/16-Unc x 5/8
19	532 13 28-27	Bolt Shoulder	116	532 12 48-42	Bolt Shoulder
20	532 15 97-70	Baffle Vortex 42	117	532 16 57-46	Wheel Gauge
21	873 68 05-00	Nut Crownlock 5/16-18 UNC	118	873 93 06-00	Nut Centerlock 3/8-16 UNC
23	532 17 75-63	Bracket Deflector Mower 42"	119	819 12 14-14	Washer 3/8 x 7/8 x 14 Ga.
24	532 10 53-04	Cap Sleeve 80x 112 Blk Mower	129	819 13 13-12	Washer 13/32 x 13/16 x 12 Ga.
25	532 12 37-13	Spring Torsion Deflector 2 52	130	874 78 06-16	Bolt Fin 3/8-16 x 1
26	532 11 04-52	Nut Push Phos & Oil	131	872 14 06-08	Bolt Carr 3/8-16 x 1
27	532 17 18-59	Shield Deflector Mower 42" Blk	132	817 06 06-12	Screw 3/8-16 x 3/4
28	819 11 10-16	Washer 11/32 X 5/8 X 16 Ga	142	532 16 58-90	Arm Spring Brake Mower
29	532 13 14-91	Rod Hinge 42"6 75 Wlg	143	532 15 71-09	Bracket Arm Idler 42"
30	532 17 39-84	Screw Thd Rolling	144	532 15 86-34	Keeper Belt 42" Clutch
31	532 12 99-63	Washer Spacer Mower Vented	145	532 16 58-88	Pulley Idler Flat
32	532 15 35-35	Pulley Mandrel 42"	146	532 17 19-77	Bolt Carriage Idler
33	532 17 83-42	Nut Toplock Fling	147	532 17 97-48	Spring Extension
34	872 11 06-14	Bolt Rdhd 3/8-16uncx1-3/4 Gr5	148	532 16 90-22	Spring Return Idler
36	532 13 14-94	Pulley Idler Flat 3 060	149	532 16 58-98	Retainer Spring Yellow
37	819 13 13-16	Washer 13/32 X 13/16 X 16	150	819 09 12-16	Washer 9/32 x 3/4 x 16 Ga.
40	873 68 06-00	Nut Crownlock 3/8-16 UNC	151	532 16 96-70	Bracket Clutch Cable
44	532 14 00-88	Guard Mandrel LH Black	152	532 16 96-76	Clutch Cable 42"
45	532 12 47-88	Spring Retainer 1" Zinc/cad	153	532 16 96-74	Washer Flat 3/8" Type B
46	532 13 77-29	Screw Hex Thd Cut 1/4-20 x 5/8 T	154	532 16 96-75	Spring Retainer
48	532 13 39-44	Washer Hardened Smaller	155	532 16 96-71	Spring Retention Lvr Cltch Cab
49	532 17 42-84	Roller Asm Cam Follower 42"dec	156	532 16 96-72	Spacer Clutch Cable
50	532 13 13-40	Bolt Shldr 10-24 Zinc Gr 5 42"	157	532 16 96-69	Rod Clutch Cable 3/8"
51	532 06 9180	Nut Lock #10-24 Unc	158	817 72 04-08	Screw Hex Thd Cut 1/4-20 x 1/2
52	532 13 98-88	Bolt Shoulder 5/16-18 Unc Blkz	159	872 14 06-14	Bolt Rdhd Sq 3/8-16 Unc x 1-3/4
53	532 13 18-45	Arm Asm Pad Brake	182	532 17 91-26	Rod Roller Nose
			183	532 16 35-52	Retainer Spring
			--	532 17 14-91	Replacement Mower, Complete
			--	532 13 07-94	Mandrel Assembly(Includes Housing, Shaft and Shaft Hardware Only-Pulley not Included)

**NOTE:** All component dimensions given in U.S. inches  
1 inch = 25.4 mm



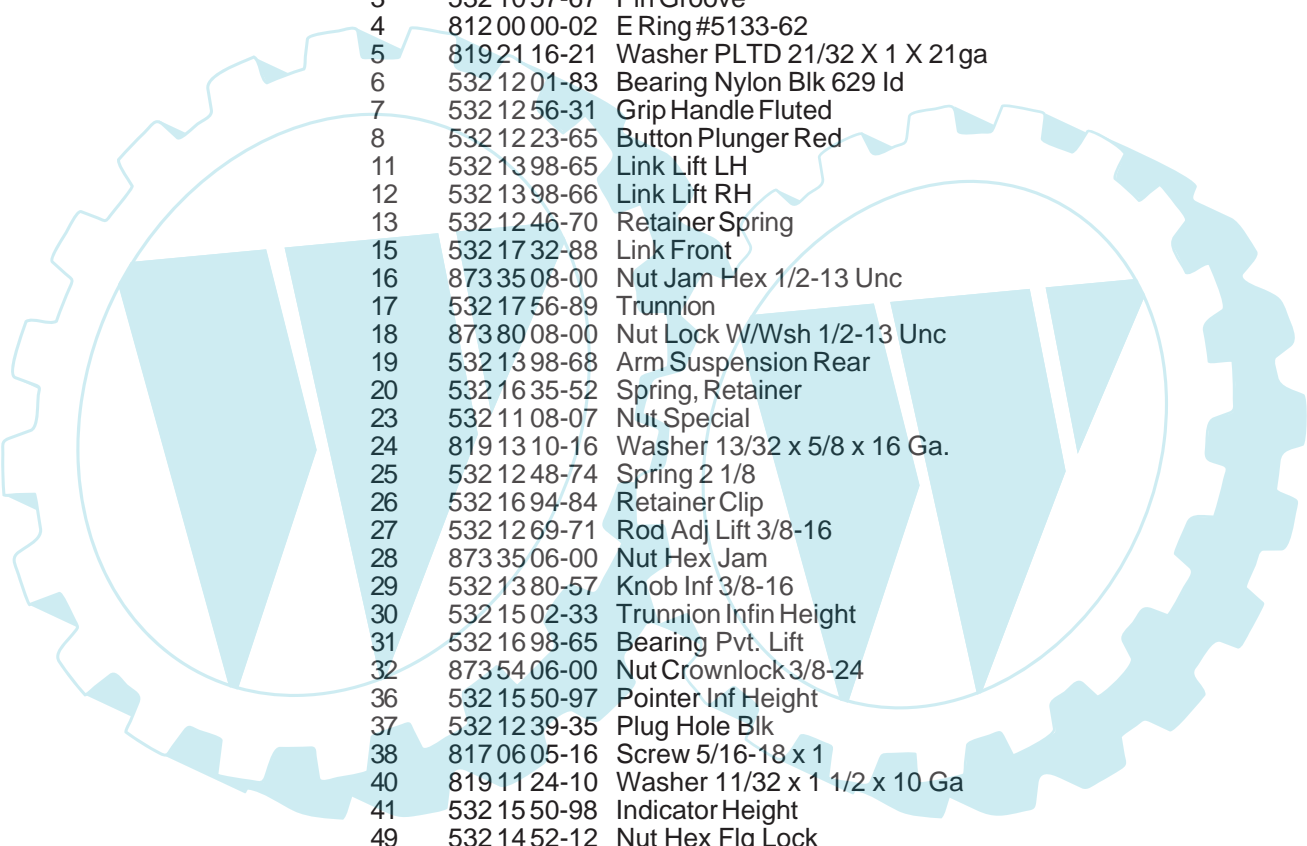
# REPAIR PARTS

TRACTOR - MODEL NO. LT16 (JNA1642A), PRODUCT NO. 954 13 00-85  
MOWER LIFT



## REPAIR PARTS

TRACTOR - MODEL NO. LT16 (JNA1642A), PRODUCT NO. 954 13 00-85  
MOWER LIFT



KEY NO.	PART NO.	DESCRIPTION
1	532 15 94-60	Wire Asm Inner W/plunger LT
2	532 15 94-71	Shaft Asm Lift
3	532 10 57-67	Pin Groove
4	812 00 00-02	E Ring #5133-62
5	819 21 16-21	Washer PLTD 21/32 X 1 X 21ga
6	532 12 01-83	Bearing Nylon Blk 629 Id
7	532 12 56-31	Grip Handle Fluted
8	532 12 23-65	Button Plunger Red
11	532 13 98-65	Link Lift LH
12	532 13 98-66	Link Lift RH
13	532 12 46-70	Retainer Spring
15	532 17 32-88	Link Front
16	873 35 08-00	Nut Jam Hex 1/2-13 Unc
17	532 17 56-89	Trunnion
18	873 80 08-00	Nut Lock W/Wsh 1/2-13 Unc
19	532 13 98-68	Arm Suspension Rear
20	532 16 35-52	Spring, Retainer
23	532 11 08-07	Nut Special
24	819 13 10-16	Washer 13/32 x 5/8 x 16 Ga.
25	532 12 48-74	Spring 2 1/8
26	532 16 94-84	Retainer Clip
27	532 12 69-71	Rod Adj Lift 3/8-16
28	873 35 06-00	Nut Hex Jam
29	532 13 80-57	Knob Inf 3/8-16
30	532 15 02-33	Trunnion Infin Height
31	532 16 98-65	Bearing Pvt. Lift
32	873 54 06-00	Nut Crownlock 3/8-24
36	532 15 50-97	Pointer Inf Height
37	532 12 39-35	Plug Hole Blk
38	817 06 05-16	Screw 5/16-18 x 1
40	819 11 24-10	Washer 11/32 x 1 1/2 x 10 Ga
41	532 15 50-98	Indicator Height
49	532 14 52-12	Nut Hex Flg Lock
50	532 11 04-52	Nut Push

**NOTE:** All component dimensions given in U.S. inches  
1 inch = 25.4 mm